

OPERATOR'S SAFETY AND SERVICE MANUAL



GP1400 & GP1600

This manual covers the following serial numbers
and higher for each model listed:

GP1400.....	142350
GP1600.....	161900



PLATE COMPACTORS

MBW Europe Ltd.
Units 2&3 Cochrane Street,
Bolton, BL3 6BN
England, UK
Phone: 44 (0) 01204 387784
Fax: 44 (0) 01204 387797
E-mail: mbweurope@mbw.com
Website: www.mbweurope.com

©MBW Europe, Inc. 2020

TABLE OF CONTENTS

SAFETY INFORMATION.....1	REPLACEMENT PARTS.....7
Introduction.....1	Base Plate Assembly.....8
Safety Precaution.....1	Base Plate Parts.....9
Safety Decals.....2	Engine Deck Assembly.....10
	Engine Deck Parts.....11
SPECIFICATIONS.....3	WARRANTY.....12
VIBRATION ASSESSMENT.....4	DECLARATION OF CONFORMITY.....13
OPERATION.....5	OPERATION.....5
Introduction.....5	Introduction.....5
Before starting & Operating.....5	Before starting & Operating.....5
Starting Engine.....5	Starting Engine.....5
Operating.....5	Operating.....5
Stopping Engine.....5	Stopping Engine.....5
MAINTENANCE.....6	MAINTENANCE.....6
Maintenance Schedule.....6	Maintenance Schedule.....6
Fluid Level.....6	Fluid Level.....6
Engine Maintenance.....6	Engine Maintenance.....6
Engine Speed.....6	Engine Speed.....6

VIBRATION ASSESSMENT

When comparing our figures with those available from other manufacturers, it should be noted that as there is no formal guideline from any legislative body regarding the testing protocol, all data is to be viewed as advisory at best.

Our testing protocol was developed to ascertain, what we consider to be, the maximum amount of hand/arm vibration that the operator can experience in the course of his/her work. Accordingly a trench was excavated and we used MOT Type 1 material, trying at all times to replicate site conditions exactly. The trench was 200mm deep and 3 metres long. The base course was made up of very tightly compacted material – so tight that a mechanical breaker was needed and used to loosen this material.

The results are below and are expressed in Metres per second, per second. Safe user time is based on the use during a normal 8 hour shift.

GP1400H - 8.19 m/s²

GP1600H – 9.65 m/s²

GP1600H (fitted with water kit) 8.03 m/s²

Full details of this **independent** test are available from MBW Europe Ltd.

It should also be noted that as there are no guidelines on testing protocol we could have manipulated our numbers down by testing the unit on wet sand, testing it whilst suspended in the air or indeed on a rubber test mat. When comparing our figures with other manufacturers we strongly suggest that consideration is given to their protocol in order that a “level playing field” is established. We believe that our figures are reflective of true site conditions.

Greig Sandiford

Greig Sandiford
Managing Director – European Operations.

SAFETY INFORMATION

Introduction



This Safety Alert Symbol is used to call attention to items or operations which may be dangerous to those operating or working with this equipment. The symbol can be found throughout this manual and on the unit. Please read these warnings and cautions, along with all decals, carefully before attempting to operate the unit. Make sure every individual who operates or works with this equipment is familiar with all safety precautions.



WARNING



GENERAL WARNING. Indicates information important to the proper operation of the equipment. Failure to observe may result in damage to the equipment and/or severe bodily injury or death.



CAUTION



GENERAL CAUTION. Indicates information important to the proper operation of the equipment. Failure to observe may result in damage to the equipment.

Safety Precautions



LETHAL EXHAUST GAS: An internal combustion engine discharges carbon monoxide, a poisonous, odorless, invisible gas. Death or serious illness may result if inhaled. Operate only in an area with proper ventilation. **NEVER OPERATE IN A CONFINED AREA!**



DANGEROUS FUELS: Use extreme caution when storing, handling and using fuels, as they are highly volatile and explosive in vapor state. Do not add fuel while engine is running. Stop and cool the engine before adding fuel. **DO NOT SMOKE!**



SAFETY GUARDS: It is the owner's responsibility to ensure that all guards and shields are in place and in working order.



IGNITION SYSTEMS: Breakerless, magneto, and battery ignition systems can cause severe electrical shocks. Avoid contacting these units or their wiring.



SAFE DRESS: Do not wear loose clothing, rings, wristwatches, etc. near machinery.



NOISE PROTECTION: Wear OSHA specified hearing protection devices.



EYE PROTECTION: Wear OSHA specified eye shields, safety glasses, and sweat bands.



HEAD PROTECTION: Wear OSHA specified safety helmets.



DUST PROTECTION: Wear OSHA specified dust mask or respirator.



OPERATOR: Keep children and bystanders off and away from the equipment.

REFERENCES: For details on safety rules and regulations, contact your local Occupational Safety and Health Administration (OSHA) office. Equipment operated in other countries must be operated and serviced in accordance and compliance with any and all safety requirements of that country. The publication of these safety precautions is done for your information. MBW does not by the publication of these precautions, imply or in any way represent that these are the sum of all dangers present near MBW equipment. If you are operating MBW equipment, it is your responsibility to insure that such operation is in full accordance with all applicable safety requirements and codes. All requirements of the Occupational Safety and Health Administration Act must be met when operated in areas that are under the jurisdiction of that department.

Safety Decals

Carefully read and follow all safety decals. Keep them in good condition. If decals become damaged, replace as required. If repainting the unit, replace all decals. Decals are available from authorized MBW distributors. Order the decal set listed on the following page(s). Please note positions and design of the safety decals may change.

SAFETY DECALS



LWA
108dB
108DBS

CE

PLATES OPERATING INSTRUCTIONS

1. Check engine oil.
2. Open fuel valve.
3. Choke engine. A warm engine may not need to be choked.
4. Open throttle part way.
5. Pull starter rope.
6. After starting open choke, return throttle to idle position.
7. During operation, when excessive kickback is noticed, maximum compaction has been reached.
8. To stop. Return throttle to idle position, use engine stop switch, close fuel valve.

13482

CAUTION

Read the following instructions before operating this piece of equipment. Keep unauthorized and untrained people away from this equipment.

ROTATING & MOVING PARTS: Make sure all guards and safety devices are in place.

Wear approved hearing protection, dust protection, eye protection and head protection.

SHUT OFF the motor before servicing or clearing.

DO NOT RUN in an enclosed area. The engine produces carbon monoxide, a **POISONOUS GAS**.

Failure to comply could result in serious bodily injury.

20019

SERIAL NO.

CAUTION

HOT SURFACE DO NOT TOUCH

SURFACE CHAUDE NE PAS TOUCHER

09311

WARNING

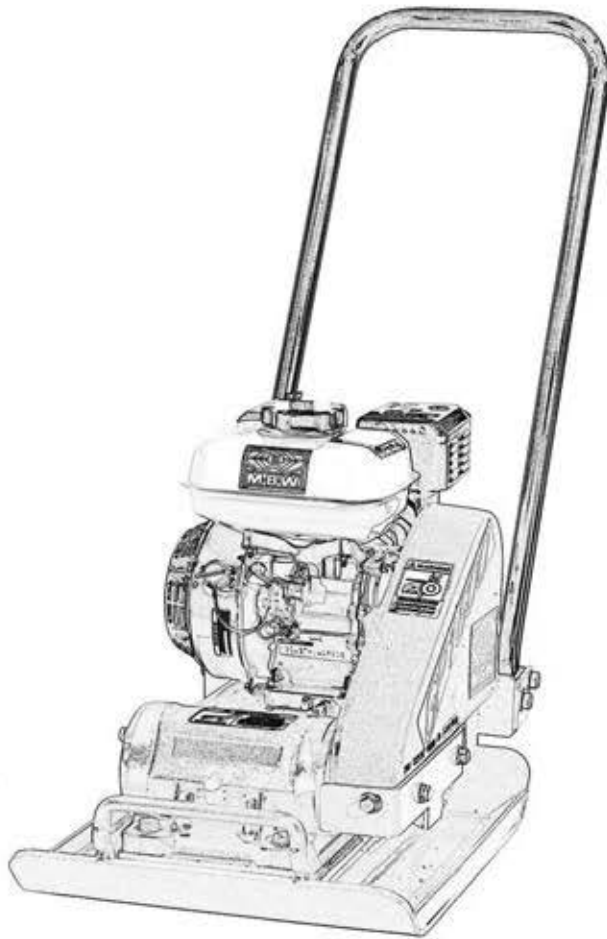
ROTATING PARTS can crush and cut. Keep hands away!

12573

GP1400

GP1400

SPECIFICATIONS



	GP1400H	GP1400HW	GP1600H	GP1600HW
Weight (kg)	60	64	64	68
Plate W x L (mm)	360 x 510	360 x 510	410 x 510	410 x 510
Force (kgf)	1,030	1,030	1,030	1,030
Speed (mtr/min)	20-25	20-25	20-25	20-25
Engine Make (hp)	Honda GX120	Honda GX120	Honda GX120	Honda GX120
Engine Speed (rpm)	3,400	3,400	3,400	3,400

As we employ a policy of continual improvement these specifications are subject to change without prior notice.

Options available -

1. Neoprene Kit for the compaction interlocking blocks.
2. Water kit for asphalt applications.
3. Wheels for easy transportation.

OPERATION

Introduction

MBW equipment is intended for use in very severe applications. They are powered by four cycle engines and are available in different sizes and a selection of engines.

This parts manual contains only standard parts. Variations of these parts as well as other special parts are not included. Contact your local MBW distributor for assistance in identifying parts not included in this manual.

Before Starting & Operating

- **REMEMBER!** It is the owner's responsibility to communicate information on the safe use and proper operation of this unit to the operators.
- Familiarize yourself with the operation of the machine and confirm that all controls function properly.
- Know how to STOP the machine in case of an emergency.
- Make sure hands, feet, and clothing are at a safe distance from any moving parts.
- **OIL LEVEL** - Check the oil level in the engine. For more information see "Lubrication" under the respective engine's "Owners Manual" or the Maintenance section of this manual.
- **AIR CLEANER** - Check to ensure element is in good condition and properly installed.
- **FUEL SUPPLY** - The engines on MBW equipment require an automotive grade of clean, fresh, unleaded gasoline.
- **FUEL FILTER** - If clogged or damaged, replace.

Starting Engine

1. Open fuel valve.
2. Turn engine switch to "ON".
3. Set throttle to idle.
4. Choke engine if necessary (you may not need to choke a warm engine).
5. Pull starter rope repeatedly until engine starts.
6. After starting engine, open choke gradually and let engine warm up at idle.

Operating

1. After engine warms up open fully open throttle. The compactor will begin vibrating and moving forward. The number of passes required to reach a desired compaction level will depend on the type and moisture content of soil. Maximum soil compactions has been reached when excessive kickback is noticed in the compactor.
2. When using a compactor on asphalt a water sprinkling system is required to help prevent the bottom plate from adhering to the hot asphalt surface.

Stopping Engine

1. Move throttle to idle position.
2. Let engine idle for one or two minutes.
3. Turn switch on engine to "STOP" position.
4. Turn off fuel valve.

MAINTENANCE



WARNING



Always exercise the stopping procedure before servicing or lubricating the unit.

After servicing the unit, replace and fasten all guards, shields, and covers to their original positions before resuming operation.



CAUTION



Always verify fluid levels and check for leaks after changing fluids.

Do not drain oil onto ground, into open streams, or down sewage drains.

Maintenance Schedule

SYSTEM	MAINTENANCE	EACH USE	EVERY 50 HOURS	EVERY 250 HOURS	YEARLY
Engine	Refer to engine operator/owner manual	X			
Exciter	Check for oil leaks	X			
	Change oil			X	X
	Tighten Bolts ¹		X		X
Hardware	Check and tighten as needed ¹		X		X
Shockmounts	Check for cracks or tears		X		X

1. Check all hardware after the first 5 hours of use, then follow the maintenance schedule.

Fluid Levels

SYSTEM	FLUID VOLUME	RECOMMENDED OIL
Exciter	150 ml	MBW Remus 68 ¹
Engine	Refer to engine operator/owner manual	

1. MBW/REMUS68

Engine Maintenance

Refer to the engine owner's manual for maintenance intervals and procedures.

Engine Speed

1. The engine speed is factory set according to the specifications section of this manual. Do not tamper with the governor setting. The governor establishes safe operating limits which must not be exceeded.

REPLACEMENT PARTS

The warranty is stated in this book on page 12. Failure to return the Warranty Registration Card renders the warranty null and void.

MBW has established a network of reputable distributors/dealers with trained mechanics and full facilities for maintenance and rebuilding, and to carry an adequate parts stock in all areas of the country. Their sales engineers are available for professional consultation. If you cannot locate an MBW distributor in your area, contact MBW.

When ordering replacement parts, be sure to have the following information available:

- Model and Serial Number of machine when ordering MBW parts
- Model and Serial Number of engine when ordering engine parts
- Part Number, Description, and Quantity
- Company Name, Address, Post Code and Purchase Order Number
- Preferred method of shipping

REMEMBER - You own the best! If repairs are needed, use only MBW parts purchased from authorized MBW distributors.



The unit's serial number can be found in the following locations:

- The model/serial number serial number decal is located on the deck behind the engine.
- The serial number is stamped on the bottom of the exciter.

Write Model Number here

Write Serial Number here

Contact Information

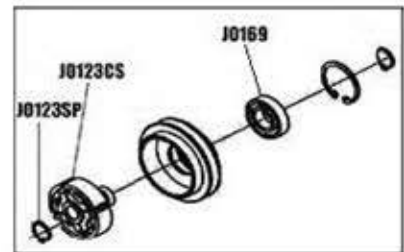
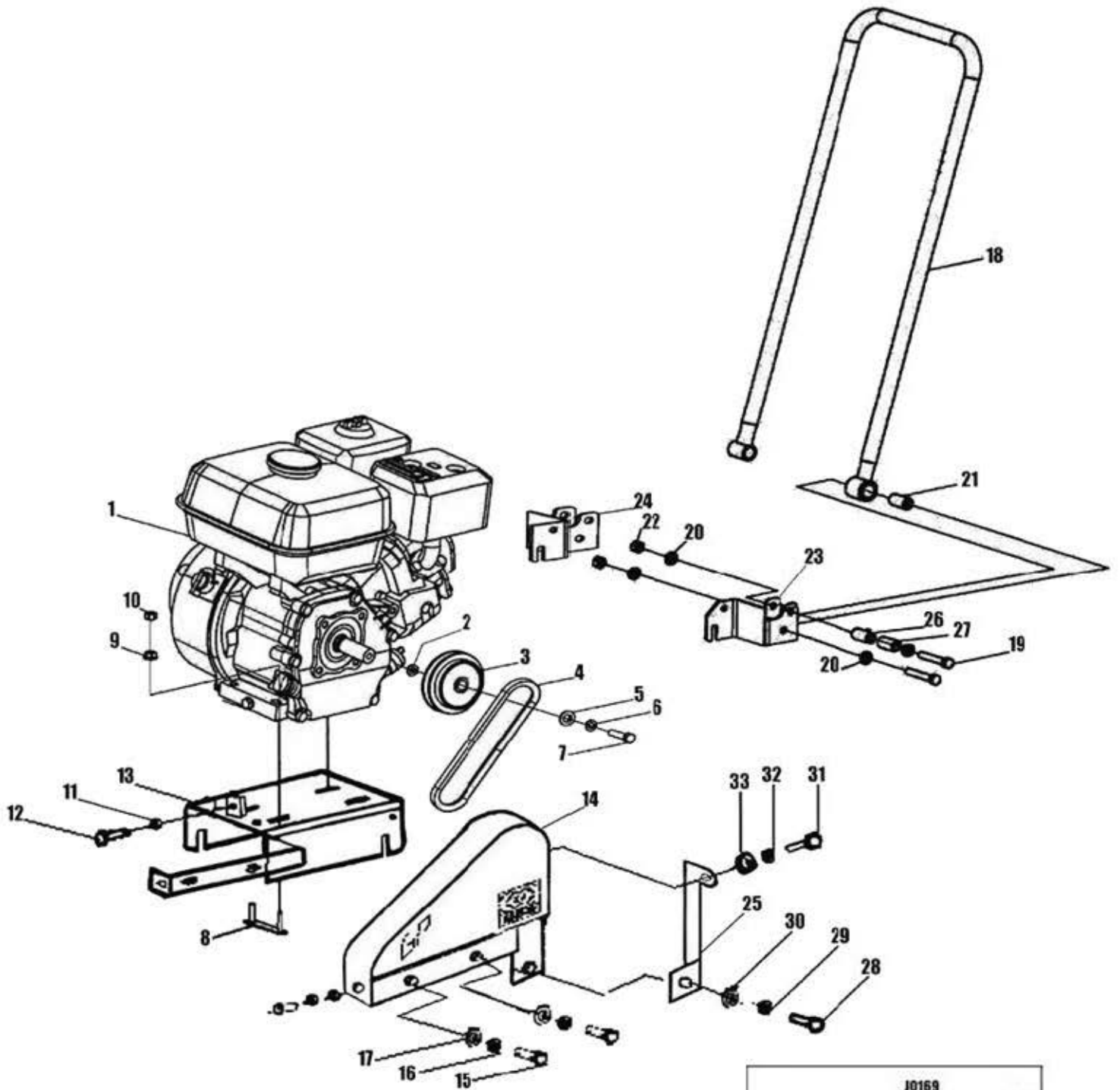
MBW, Inc.
250 Hartford Rd • PO Box 440
Slinger, WI 53086-0440
Phone: (262) 644-5234
Fax: (262) 644-5169
Email: mbw@mbw.com
Website: www.mbw.com

MBW Europe Ltd.
Units 2&3 Cochrane Street Bolton
BL3 6BN
England, UK
Phone: 44 (0) 01204 387784
Fax: 44 (0) 01204 387797
E-mail: mbweurope@mbw.com
Website: www.mbweurope.com

BASE PLATE PARTS

Item	Part no.	Description	GP1400	GP1600
1	JO132	Bolt M12 x 35	1	1
2	JO133	Lock Washer M12	1	1
3	JO134	Special Washer M12	1	1
4	JO135	Pulley	1	1
5	JO136	Housing Cover (A)	1	1
6	JO137	O- Ring	2	2
7	JO138	Oil Seal – 32 x 48 x 8	1	1
8	JO139	Bearing – 6307	2	2
9	JO140	Key – 7 x 7 x 20	1	1
10	JO141	Exciter Shaft	1	1
11	JO142	Bolt – M8 x 20	8	8
12	JO143	Lock Washer – M8	8	8
13	JO144	Exciter Housing	1	1
14	JO145	Housing Cover (B)	1	1
15	JO146	Bolt – M12 x 40	4	4
16	JO147	Lock Washer M12	4	4
17	JO148	Dip Stick	1	1
18	JO149	Base Plate - GP1400 Only	1	
	JO149B	Base Plate - GP1600 Only		1
19	JO150	Lock Nut – M10	8	8
20	JO151	Washer – M10	8	8
21	JO152	Shockmount	4	4
22	JO164	Lock Washer M10	1	1
23	JO165	Bump Stop	1	1
24	JO170	Complete Exciter ASM	1	1
		Includes Items 1-14,17		

GP1400 & GP1600 ENGINE DECK ASSEMBLY



JO123SP - CLUTCH SPRING
 JO123CS - CLUTCH SHOES (SET OF 4)
 JO169 - CLUTCH BEARING

ENGINE DECK PARTS

Item	Part no.	Description	GP1400	GP1600
1	12860	Engine Honda GX120	1	1
2	00032	Key 3/16 SQ 1-5/8 00032	1	1
3	JO123	Centrifugal Clutch	1	1
4	06931	V- Belt A-31 0931	1	1
5	JO125	Special Washer M8	1	1
6	JO126	Lock Washer M8	1	1
7	F052408HCS	Bolt	1	1
8	JO128	Engine Bracket	2	2
9	JO129	Plain Washer M8	4	4
10	JO131	Flange Nut M8	4	4
11	M10 HN	Plain Nut M10	1	1
12	M10 30 HCS	Bolt M10 x 40	1	1
13	JO153	Engine Deck	1	1
14	17503	Belt Guard	1	1
15	F061606HCS	Bolt	3	3
16	F06LW	Lock washer	3	3
17	F06PW	Plain Washer	3	3
18	JO158A	Handle GP1400 Only	1	
	JO158B	Handle GP1600 Only		1
19	JO159	Bolt – M12 x 70	4	4
20	JO160	Plain Washer M12	8	8
21	JO161	Rubber Isolator (Handle)	2	2
22	JO162	Lock Nut M12	4	4
23	JO163L14	Handle Mounting Bracket Left	1	
	JO163L16	Handle Mounting Bracket Left		1
24	JO163R14	Handle Mounting Bracket Right	1	
	JO163R16	Handle Mounting Bracket Right		1
25	JO166	Belt Guard Support Bracket	1	1
26	JO167	Rubber Bush Handle Stop	2	2
27	JO168	Steel Insert - Handle Stop	2	2
28	M1230HCS	Bolt M12 x 30	1	1
29	M12LW	Lock Washer M12	1	1
30	M12PW	Plain Washer M12	1	1
31	F042006HCS	Bolt – F042006HCS	1	1
32	F04LW	Lock Washer F04LW	1	1
33	F04PW	Plain Washer – F04PW	1	1
	JO163L-ASM	GP1400 Left Handle Bracket ASM	1	
	JO163R-ASM	GP1400 Right Handle Bracket ASM	1	
	JO163L16-ASM	GP1600 Left Handle Bracket ASM		1
	JO163R16-ASM	GP 1600 Right Handle Bracket ASM		1
		Option Kit		
	JO155	Belt Guard Hardware Kit		
		Includes Items 3 x 15,16,17 – 1 x 31,32,35		
	AK14/1600	Water Tank Kit		
	RMK1400	Paver Pad GP1400		
	RMK1600	Paver Pad GP1600		
		Low Vibration Handle Bracket Assembly		

WARRANTY

WHAT DOES THIS WARRANTY COVER? MBW, Incorporated (MBW) warrants each New Machine against defects in material and workmanship for a period of twelve (12) months. "New Machine" means a machine shipped directly from MBW or authorized MBW dealer to the end user. This warranty commences on the first day the machine is sold, assigned to a rental fleet, or otherwise put to first use.

MBW warrants each Demonstration Machine against defects in material and workmanship for a period of six (6) months. "Demonstration Machine" means a machine used by MBW or its agents for promotional purposes. This warranty commences on the first day the machine is sold, assigned to a rental fleet, or otherwise put to first use.

This warranty covers the labor cost for replacement or repair of parts, components, or equipment on New Machines or Demonstration Machines, and MBW shall pay labor costs at MBW's prevailing rate to affect the warranted repair or replacement. MBW reserves the right to adjust labor claims on a claim-by-claim basis.

This warranty covers the shipping cost of replacement parts, components, or equipment via common ground carriers from MBW to an authorized MBW dealer. Air freight is considered only in cases where ground transportation is not practical.

MAY THIS WARRANTY BE TRANSFERRED? This warranty is non-transferable and only applies to the original end user of a new machine or demonstration machine.

WHAT DOES THIS WARRANTY NOT COVER?

1. This warranty does not cover any Used Equipment. "Used Equipment" means any MBW machine or equipment that is not a New Machine or a Demonstration Machine. All Used Equipment is sold **AS IS/WHERE IS WITH ALL FAULTS**.

2. This warranty does not cover any New Machine, Demonstration Machine, or their equipment, parts, or components altered or modified in any way without MBW's prior written consent. This warranty does not cover the use of parts not specifically approved by MBW for use on MBW products. This warranty does not cover misuse, neglect, shipping damage, accidents, acts of God, the operation of any New Machine or Demonstration Machine in any way other than recommended by MBW in accordance with its specifications, or any other circumstances beyond MBW's control. This warranty does not cover any New Machine or Demonstration Machine repaired by anyone other than MBW factory branches or authorized MBW distributors.

3. This warranty does not cover, and MBW affirmatively disclaims, liability for any damage or injury resulting directly or indirectly from design, materials, or operation of a New Machine or Demonstration Machine or any other MBW product. MBW's liability with respect to any breach of warranty shall be limited to the provisions of this document and in no event shall exceed an amount equal to the purchase price of the New Machine or Demonstration Machine purchased from MBW.

4. This warranty does not cover engines, motors, and other assemblies or components produced by other manufacturers and used on a New Machine or Demonstration Machine, as said engines, motors, and other assemblies or components may have warranties provided by the manufacturer thereof. This warranty does not apply to consumable items, such as v-belts, filters, trowel and screed blades, seals, shock mounts, batteries, and the like, all of which are sold **AS IS/WHERE IS WITH ALL FAULTS**.

5. This warranty does not cover the cost of transportation and other expenses which may be connected with warranty service but not specifically mentioned herein.

6. This warranty does not cover any updates to any New Machine, Demonstration Machine, or any other MBW product. MBW reserves the right to improve or make product changes without incurring any obligation to update, refit, or install the same on New Machines or Demonstration Machines previously sold.

WHAT MUST YOU DO TO OBTAIN WARRANTY COVERAGE? Each New Machine or Demonstration Machine is accompanied by a Warranty Registration Card. You must sign, date, and return the Warranty Registration Card to the place of origin of the New Machine or Demonstration Machine, either to MBW, Inc. at P.O. Box 440, Slinger, Wisconsin 53086, MBW (Europe), Ltd. at Units 2 & 3 Cochrane Street, Bolton BL3 6BN, United Kingdom, within ten (10) days after purchase, assignment to a rental fleet, or first use. This signed warranty card is the buyer's affirmation that he has read, understood, and accepted the warranty at the time of purchase. Failure to return the warranty card as specified herein renders the warranty null and void. In order to receive warranty coverage consideration, warranty claims must be submitted within thirty (30) days after the New Machine or Demonstration Machine fails. Warranty claims must be submitted to MBW, Inc., MBW (Europe) Ltd. and written authorization for the return of merchandise or parts under the warranty must be obtained before shipment to MBW.

WHAT WILL MBW DO? MBW's obligation under this warranty is limited to the replacement or repair of parts for a New Machine or Demonstration Machine at MBW factory branches or at authorized MBW distributors, and such replacement or repair is the exclusive remedy provided hereunder. Labor must be performed at an authorized MBW distributor. MBW reserves the right to inspect and render a final decision on each warranty case, and MBW's repair or replacement is solely within the discretion of MBW.

IT IS EXPRESSLY AGREED THAT THIS SHALL BE THE SOLE AND EXCLUSIVE REMEDY UNDER THIS WARRANTY. UNDER NO CIRCUMSTANCES SHALL MBW BE LIABLE FOR ANY COSTS, LOSS, EXPENSE, DAMAGES, SPECIAL DAMAGES, INCIDENTAL DAMAGES, OR PUNITIVE DAMAGES ARISING DIRECTLY OR INDIRECTLY FROM THE USE OF THE NEW MACHINE OR DEMONSTRATION MACHINE WHETHER BASED UPON WARRANTY, CONTRACT, NEGLIGENCE, STRICT LIABILITY, OR ANY OTHER LEGAL THEORY.

THE FOREGOING WARRANTY IS EXPRESSLY IN LIEU OF ALL OTHER WARRANTIES, EXPRESS OR IMPLIED, INCLUDING THE WARRANTIES OF MERCHANTABILITY, FITNESS FOR USE, AND FITNESS FOR A PARTICULAR PURPOSE, AND ALL OTHER OBLIGATIONS OR LIABILITY ON MBW'S PART. MBW NEITHER ASSUMES NOR AUTHORIZES ANY OTHER PERSON TO ASSUME ON BEHALF OF MBW ANY OTHER LIABILITY OR WARRANTY IN CONNECTION WITH THE SALE OR SERVICE OF ANY NEW MACHINE, DEMONSTRATION MACHINE, OR ANY OTHER MBW PRODUCT.

EXTENDED RAMMER WARRANTY - MODELS R422, R442, R482 & R483.

This extended warranty commences on the last day of MBW's standard, one year, "limited warranty" and runs for an additional four years (48 months). This extended warranty is limited to part replacement and shipping costs of rammer **bellows and non-metallic slide bearings only**. This extended warranty does not cover labor, down time, or any other cost beyond that of component replacement and freight. This extended warranty is subject to all limitations set fourth in MBW's "limited warranty", above.



M·B·W EUROPE LTD

Units 2 & 3 Cochrane Street, Bolton BL3 6BN

Tel: 01204 387784 Fax: 01204 387797

email: mbweurope@mbw.com ➤ www.mbweurope.com

EC Declaration Of Conformity

We : **MBW Europe Limited**

Of : **Units 2 & 3 Cochrane Street, Bolton BL3 6BN United Kingdom**

In accordance with the following directive(s)

98/37EC

89/336/EC

Hereby declare under sole responsibility that :

Product : **MBW GP1400 & GP1600 Plate Compactors**
Model : **GP1400 / GP1600**
Serial number(s) : **143250 and 161900 onwards**

Is in conformity with the applicable requirements of the following harmonized standards

Reference to harmonized standards EN50082-1, EN474-6

97/37/EC was formerly known as 89/392/EC as amended by 91/368/EC and 93/68/EC

The undersigned declares, on behalf of MBW Europe Limited that the equipment named above has been designed to comply with the relevant sections of the above referenced specifications.

The unit complies with all the applicable essential Health and Safety Requirements of the directive.

Name : **Greig Sandiford**

Position : **Managing Director**

Date : **01/01/2020**

Signature :

