



Barcode: 5060452083131

Patent: GB2301393

Version: v100.5

volthub™

Safe Li-Ion battery charging

Product code: VH16

- » Designed to safely charge and store Li-Ion batteries.
- » Passive and active technology with battery backup.
- » Weatherproof, secure and mobile, VoltHub can go anywhere.



Product features



Automatic fire suppression



Power supply 230V



RCD Protected



32A IP67 power inlet



Suitable for site



Safety signage



Crane lifting eyes

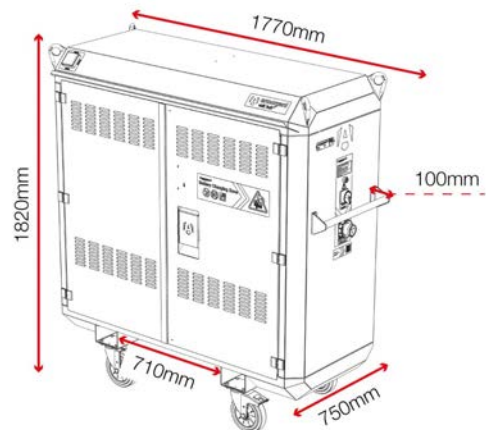


Standard 200mm castors

Product specifications

Weight	334kg
Colour	Black grey: RAL 7021, Traffic red: RAL 3020
Suitable for	Li-Ion battery charging
Finished coating	Powder coated
Material & thickness	1.5mm
Quantity of keys	2 keys
How are castors fitted?	Castor plates
Ventilation	Yes
Qty of shelves as standard	16 lockers
Qty of power sockets	32x 230V sockets

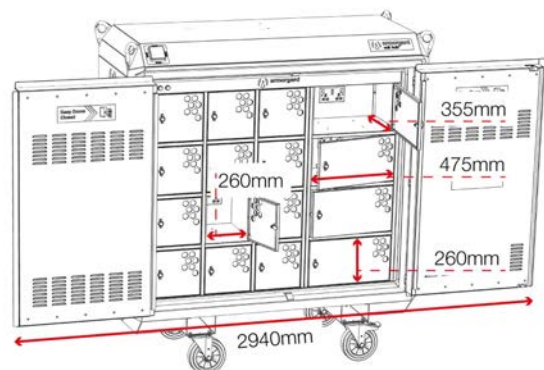
Dimensions - External dimensions includes protrusions



Related products - Contact Armorgard to find out more



Power-Stor FR200-P



Disclaimer: all dimensions and weights are approximate

fire suppression systems



Armorgard VoltHub

The VoltHub is a unique solution to safely charging Lithium-Ion batteries. Designed with an integrated fire safety system that auto-activates in an emergency, it uses a special fire suppressant designed and tested with Lithium-Ion battery fires.



Information

The VoltHub uses a specialist system designed to suppress Lithium-Ion fires. Using the pressurised targeting system, the foam will be smoother the burning battery in a cooling foam. This attacks any naked flames and burning parts by smothering them and cutting off the oxygen supply like a normal fire extinguisher.

The reason normal fire extinguishers are ineffective with Lithium-Ion batteries is that Lithium-Ion battery fires are prone to re-ignite even if completely smothered, because the chemical reaction inside the battery is not stopped.

The foam suppressant in the VoltHub contains a special formula, which is designed to neutralise the chemical reaction in a failed Li-Ion battery. This makes it almost impossible for the fire to reignite and the aftermath can be safely dealt with.

Environmentally friendly, the foam suppressant has no harmful long lasting effects to humans, animals, or plant life.




Certification

EN 11056

NEN 1568 for A, B, D & F fires

NTA8133-2021

EN 3-7+A1:2007 & NF074

Environmentally safe.
 Warning and information signage is displayed visibly to encourage safe usage.
 Completely free from the prohibited PFAS.



Fire Safety

The VoltHub Fire System is suitable for type A, B, D, and F fires, as well as Lithium fires.

The VoltHub Fire System is a pressurised system. The VoltHub is designed to automatically target the source of the heat if a fire breaks out.

The VoltHub Fire System is a reactive system that works independently and requires no power.

Maintenance free, the VoltHub Fire System only requires regular annual checks in line with standard fire extinguisher regulations.