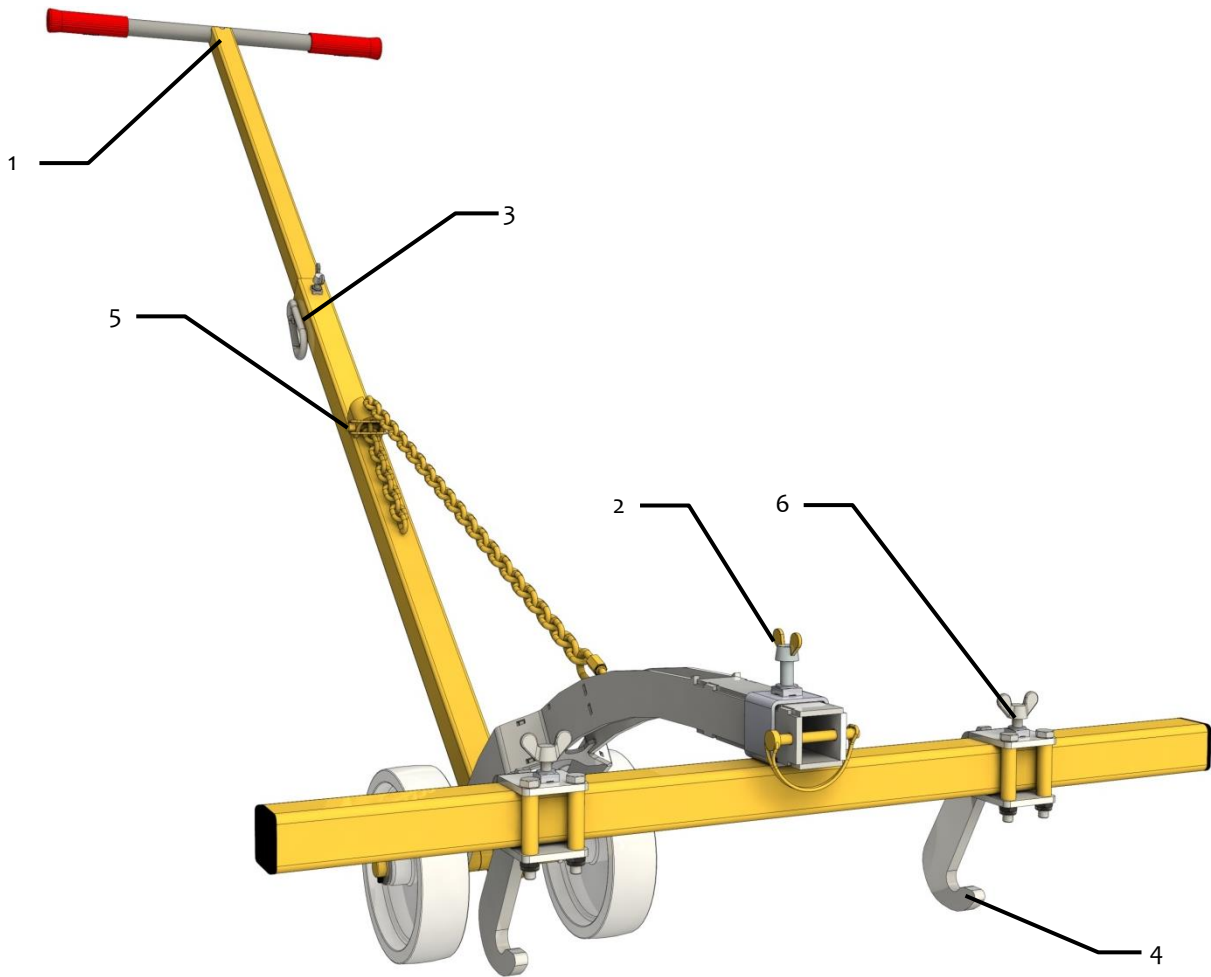


2.2 Survey and construction



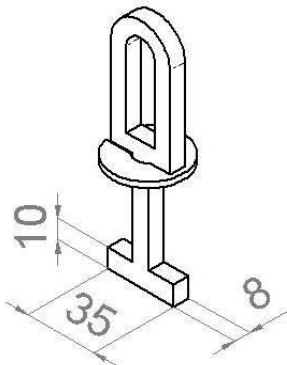
1	Handle	5	Chain suspension
2	Fixation spreader bar	6	Width adjustment for hooks
3	Karabiner for accessories		
4	Hook for various keys		

2.3 Technical Data

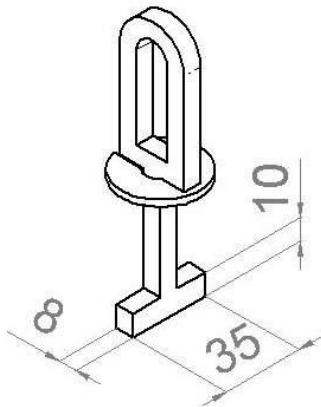
Type	Hook centres (min. - max.) [mm/inch]	Pulling force (carrying capacity/WLL) [kg/lbs]	Dead weight [kg/lbs]
SDH-LIGHT	100 – 740/4" – 29"	200/441	18/40

2.4 Accessories

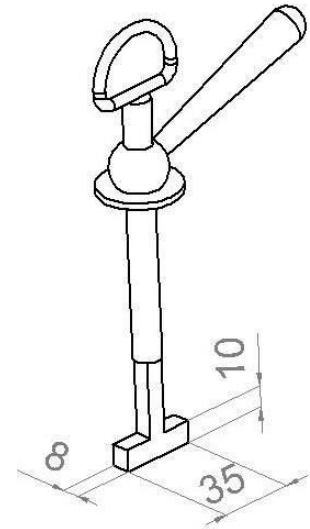
Key A



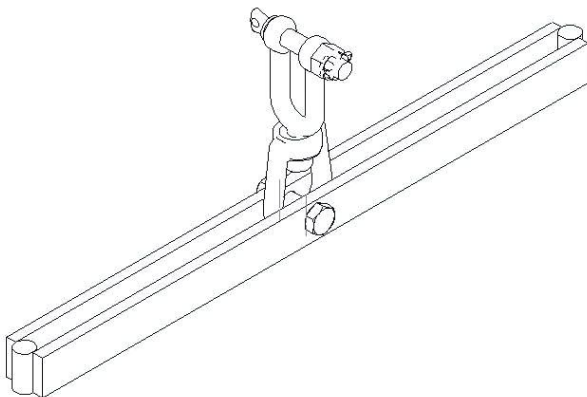
Key B



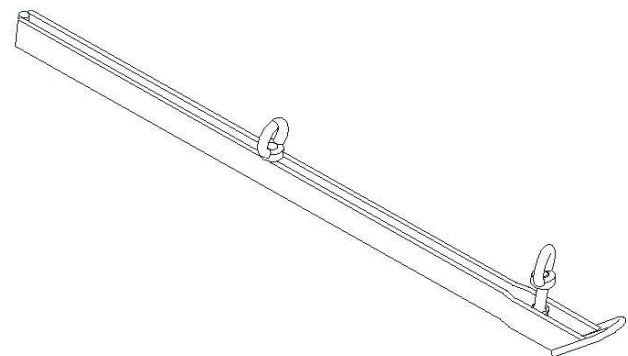
Key C



Spreader bar „small“



Spreader bar „large“



Type	Description	Order-No.
Keys and spreader bars	Key A	44800019
	Key B	44800020
	Key C	44800017
	Spreader bar „small“	44800008
	Spreader bar „large“	44800018
Set of keys and spreader bars UK	2 keys A, 2 keys B, 4 keys C, 1 Spreader bar small, 2 Spreader bars large	54800004
Tool and Equipment Box WZK	Size 1.200 x 550 x 630 mm to stow the complete SDH-H including all accessories.	42200107
SDH-LIGHT-LHM-400	Permanent lifting magnet for attachment to SDH-LIGHT	44800065

3.2 Device Operating

3.2.1 Operating with keys

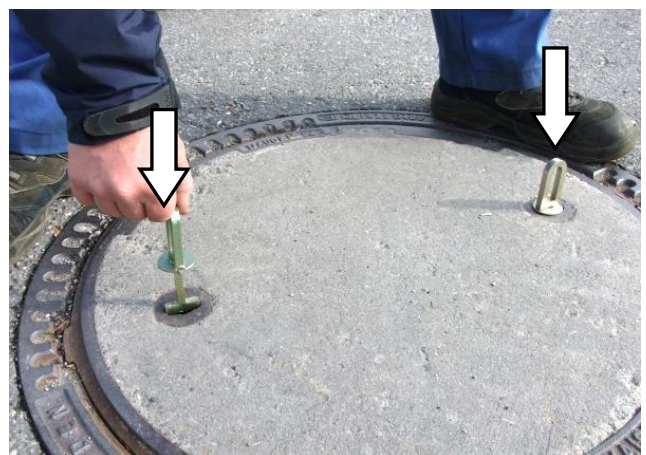
Measure the distance between the mounting points for the keys.



Set the according distance between the keys.

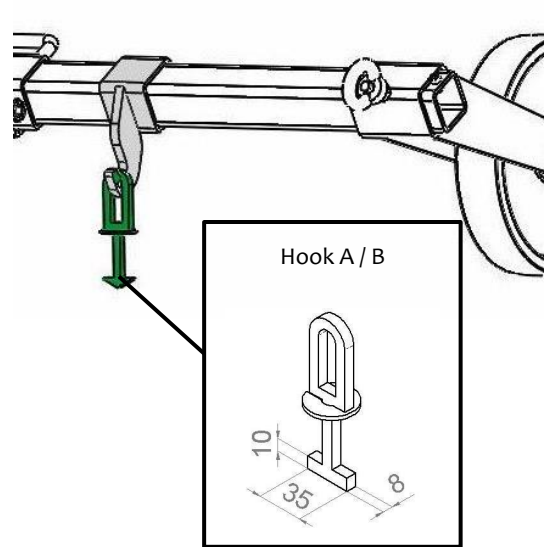
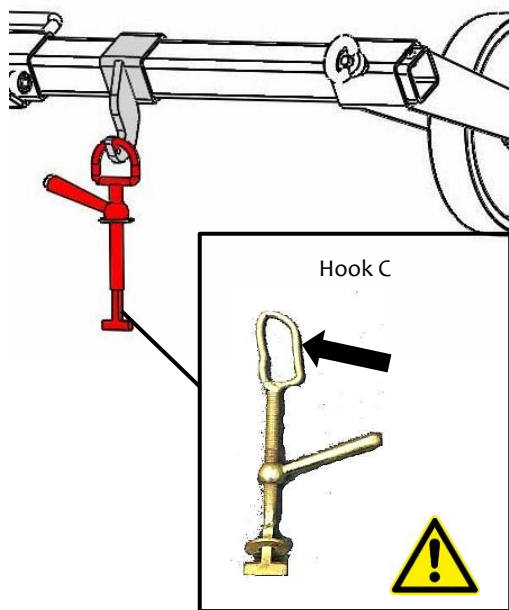


Take the appropriate keys and insert them into the mounting points of the cover.



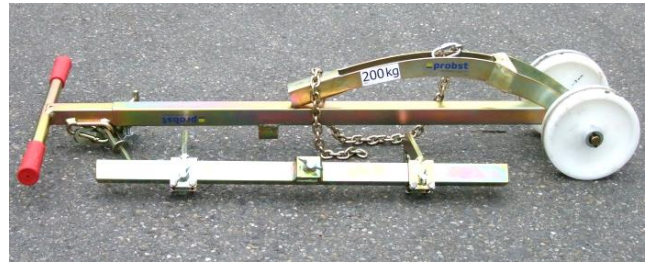
Bring in the hooks of the device into the keys.
Press the lever downwards to lift the cover up.

Warning: Keep hands and feet away from the danger zone!



3.2.2 Operating with spreader bar and keys

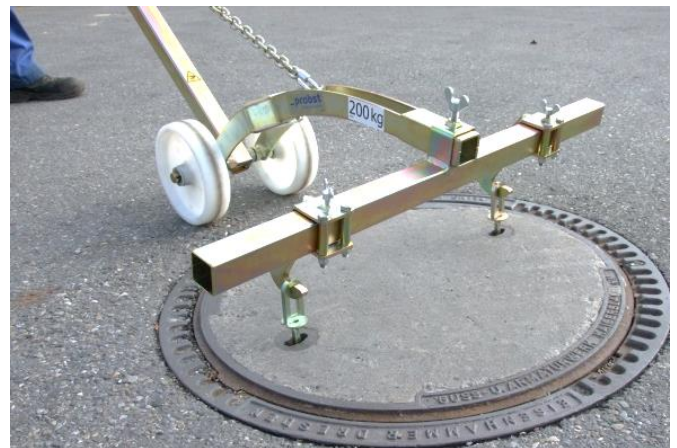
Prepare suitable spreader bar and keys according to the cover that has to be lifted.



Place the device over the cover and set the hooks into the keys (A or B).

Press the lever downwards to lift the cover up.

Warning: Keep hands and feet away from the danger zone!



3.2.3 Operating with the permanent magnet



Make sure the lever of the permanent magnet is in OFF position, before you lift or transport it.

Dismount the spreader bar from the device.

Mount the permanent magnet on the device.

Place the device over the cover so the magnet is placed over the centre of the cover.



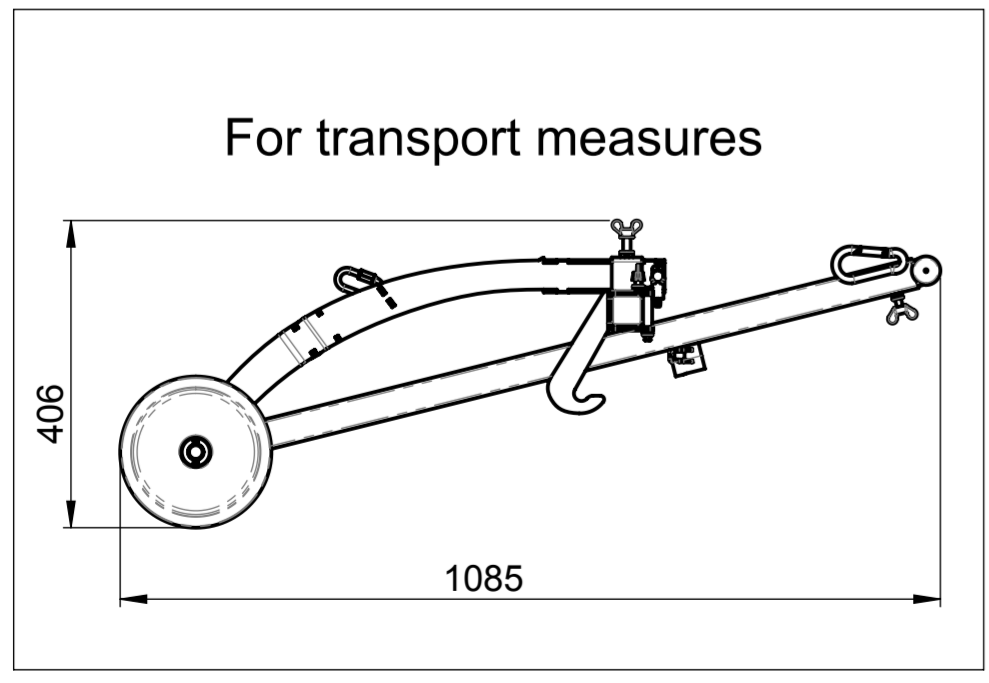
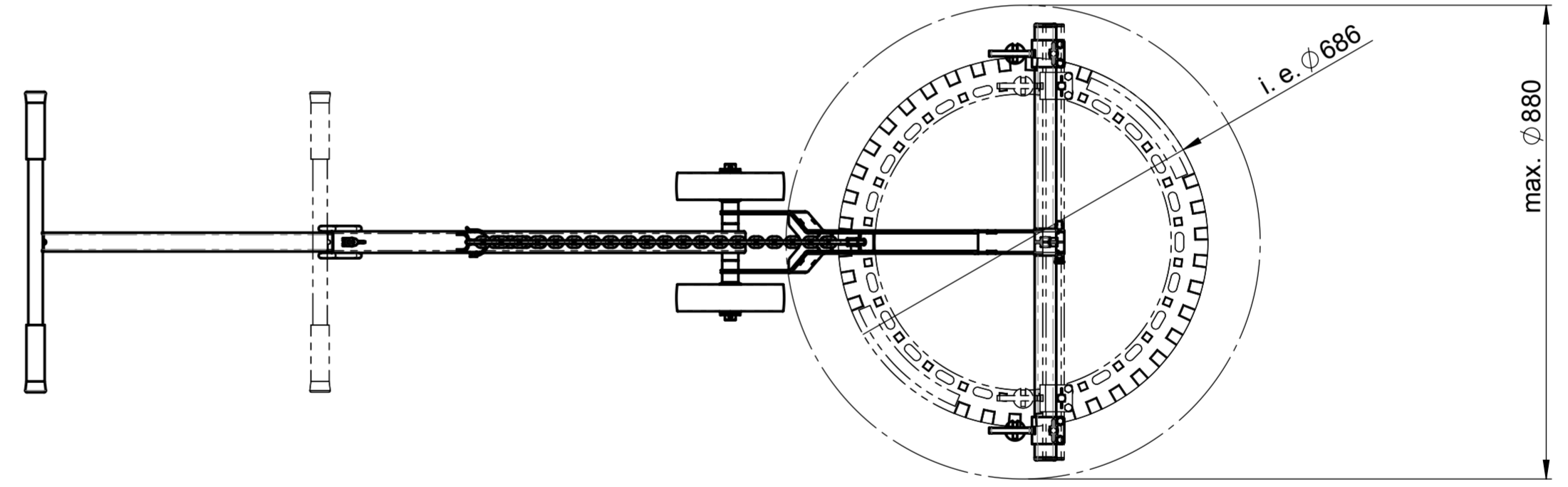
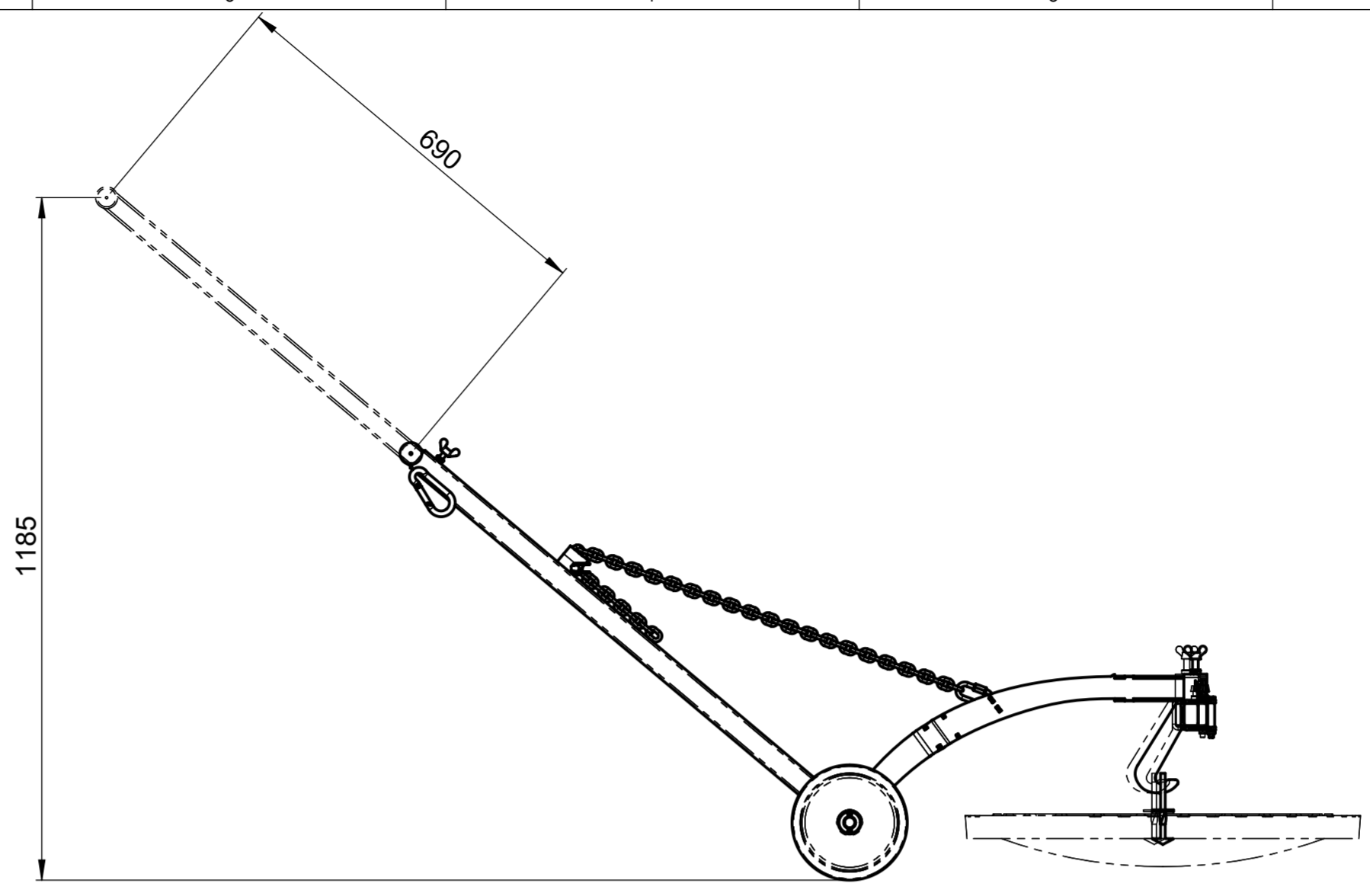
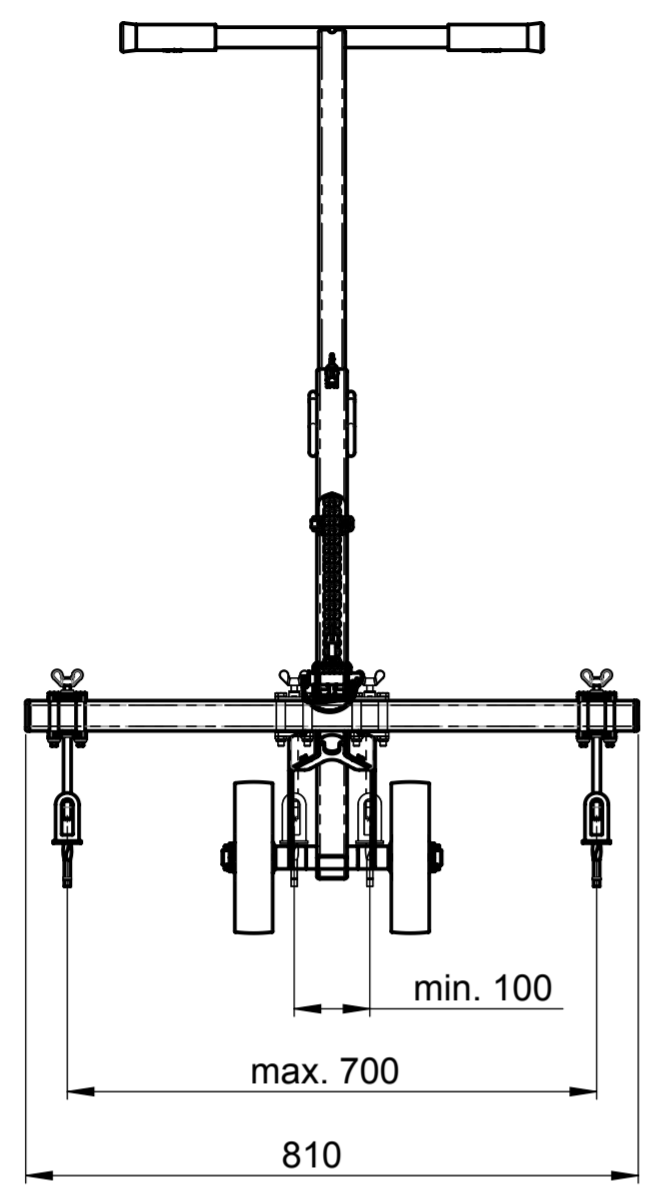
Turn the lever in the ON position.

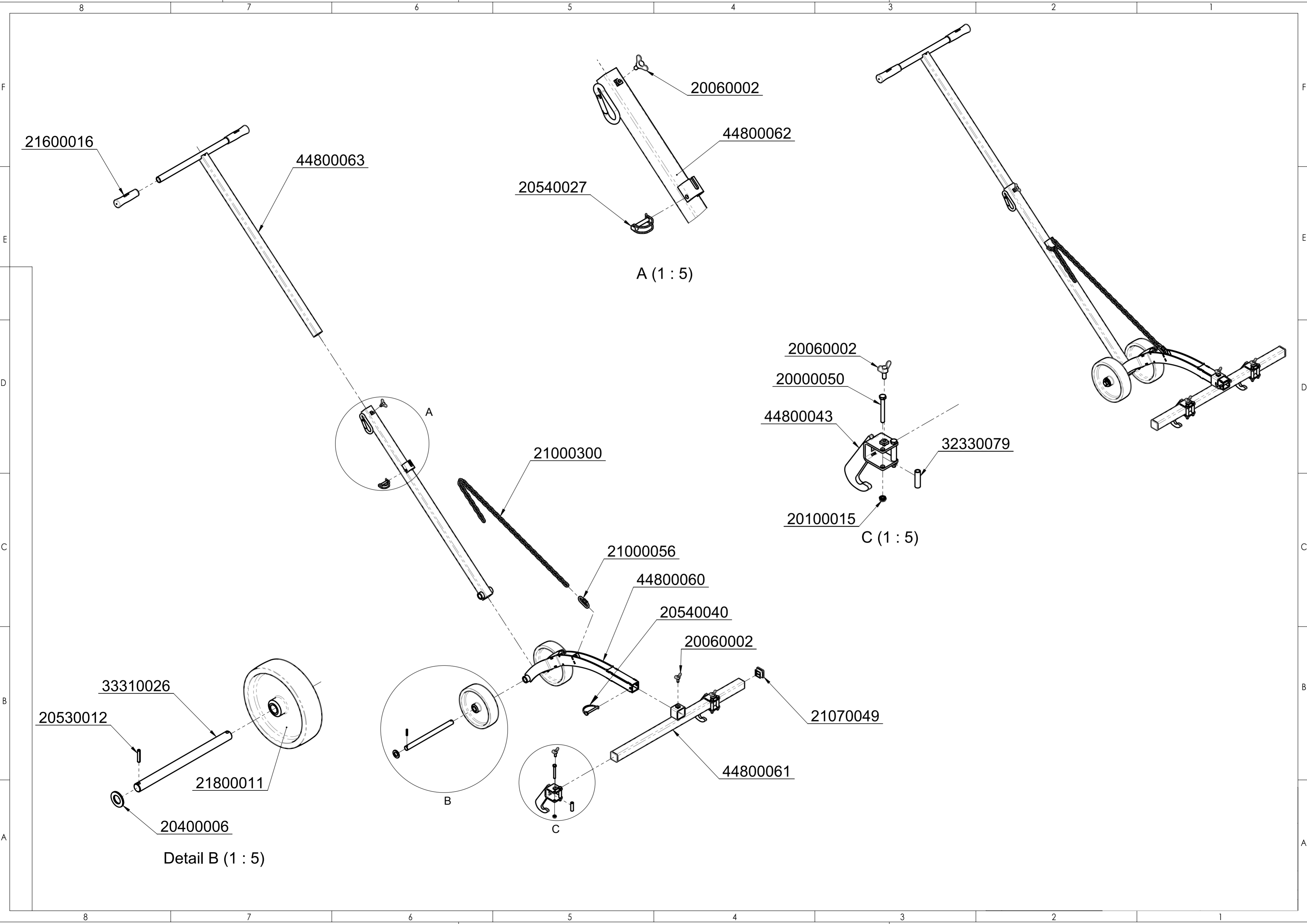


Press the lever downwards to lift the cover up.

Warning: Keep hands and feet away from the danger zone!







21600016

44800063

20060002

44800062

20540027

A (1 : 5)

20060002

20000050

44800043

32330079

20100015

C (1 : 5)

21000300

21000056

44800060

20540040

20060002

21070049

44800061

33310026

20530012

21800011

20400006

Detail B (1 : 5)

B

C