



# 3T ASSEMBLY GUIDE - DOUBLE WIDTH

This assembly guide is designed to provide you with step by step instructions to ensure your system is erected easily and safely. Before assembly please read the safety notes carefully. Eiger 500 is a mobile access tower system complying with EN 1004:2004 and WAHR, with vertical ladder access, designed for Class 3 loading. Platform heights 2.2m to 8.2m internal / external and platform heights 8.7m to 12.2m internal only, EN1004-3-8/12-D. The UTS 1450/850 tower is certified by BSI to meet the requirements of BS EN 1004 the design standard for mobile access towers. Additionally, through vigorous testing and comparatives carried out by Lloyds British and which they consider confirm conformance with the PASMA Compatibility Protocol, the UTS tower can provide either a partial or dominant system when used in conjunction with the EIGER 500 scaffold tower. Copies of the Lloyds British test report are available upon request.

## DESCRIPTION

The Access Tower gives a work platform for use by up to two persons, with weight evenly distributed across the platform.

The information and instructions included in this manual are provided to help get the best possible service from your Access Tower. To ensure that the tower is used safely and responsibly, we strongly recommend that these instructions are read by everyone involved in its erection and use prior to assembling and using the tower, and that the recommendations are followed at all times.

## SAFETY

Before using this access tower and to avoid personal injury, carefully read and understand these instructions. If there is anything you do not understand, DO NOT use this access tower, contact the supplier for advice.

Make sure you are aware of all safety requirements and that this access tower is suitable for the task you wish to undertake. The work area must be cordoned off to create a safe zone from the general public and bystanders. The safe zone must be a minimum of 3m radius or 1m greater than the platform height being used.

This access tower must not be set up, used, moved or dismantled by persons who are under the influence of alcohol or drugs. Do not use this access tower if you are tired or unwell. This access tower must only be used by persons who are medically fit to do so. If you have any medical condition, are recovering from any medical condition or suffer from any mental or physical disability, you MUST seek professional medical advice before using this access tower. The persons assembling this tower must be competent and qualified to do so.

## WEIGHTS

The tower itself, regardless of size, has a maximum total Safe Working Load (SWL) of 950Kg. This is the maximum load that can be placed on the castors. When checking the SWL for your tower, you must firstly deduct the towers self weight from its overall SWL to give you the maximum payload (user plus tools and materials). You must also ensure that a platform's SWL is not exceeded.

Do not overload the platform(s) beyond the stated weight loading. Single platform up to 275Kg evenly distributed or 550Kg when used as a pair. The maximum number of working platforms per tower must not exceed two.

Wear the correct Personal Protective Equipment (PPE) for the task you are performing.

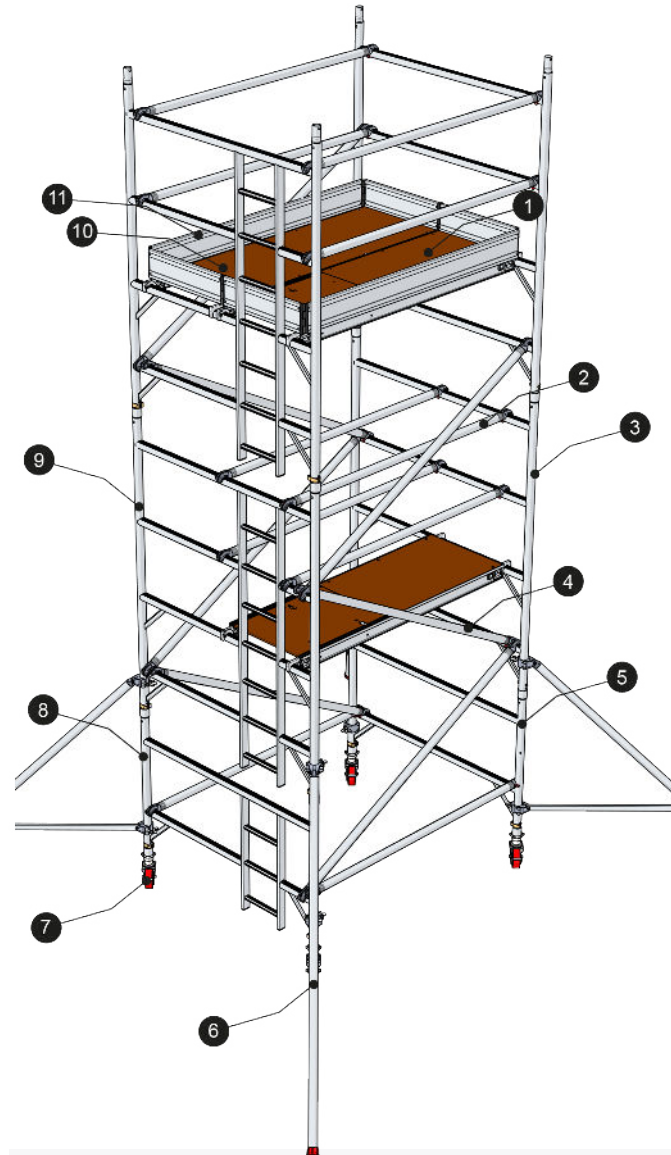
Wear gloves when handling tower components.

Wear suitable clothing. Steel toecap boots or shoes must be worn. If appropriate, wear a hard hat. Do not wear loose jewellery or clothing that may get in the way or become trapped in the access tower. Tie back long hair.

The tower must not be used in adverse weather conditions ie: heavy rain, snow or ice. If the tower becomes contaminated by paints, chemicals or similar materials, the tower must not be used until such contaminants have been completely removed.

You MUST perform a risk assessment before using this access tower to ensure your safety and the safety of others. Do not use this access tower where there are overhead power lines or similar hazards within your reach and that of the tower.

If leaving an erected tower unattended you must block access to the tower by unauthorised persons. Use suitable mesh fencing or boarding to make access impossible. If you cannot block access, the tower MUST be dismantled. Do not suspend the tower from another structure.



- 1 HATCH PLATFORM
- 2 HORIZONTAL BRACE
- 3 4 RUNG FRAME
- 4 DIAGONAL BRACE
- 5 2 RUNG FRAME
- 6 STABILISER
- 7 ADJUSTABLE LEG & CASTOR
- 8 2 RUNG LADDER FRAME
- 9 4 RUNG LADDER FRAME
- 10 STANDARD PLATFORM
- 11 TOEBOARD SET



0333 323 2100



sales.office@smithshire.com

smithshire.com

## SAFETY CONT.

Only carry tools and materials with you when ascending or descending the tower if they are safely retained in a tool belt and do not restrict your free movement. Tools / materials may be hoisted to the deck via a rope. PROPERLY ASSESS THE RISK METHOD!

Do not lean from the tower and never apply undue side force. Maximum permitted side load must not exceed 20Kg (200N). Never use boxes, steps or similar items to gain additional height. Do not stand on the toeboards, horizontal or diagonal braces. Always use the towers built in ladders to access platforms and climb from inside the tower NEVER from outside. When climbing, always keep your feet in the middle of the rungs and grip the upper rungs with your hands NEVER the sides.

When winds exceed Beaufort force 4, cease to use the tower. Always be aware that using the tower in situations such as unclad or open ended buildings or on the corners of buildings could cause additional wind loading of the tower structure.

### Wind Speeds

Force	Peak MPH	Peak KPH	Guidance
4	18	29	Moderate breeze - raises dust and loose paper
6	31	50	Strong breeze - difficult to use umbrella
8	46	74	Gale force - walking is difficult

## PREPARATION

Clear the floor area of all obstacles and debris. Where possible sweep the floor. Check the ground upon which the tower is to be used is capable of supporting the combined weight of the tower and any necessary loading. The ground should be level and any slope should be within the scope of the adjustable legs. Ensure all tools and equipment required to erect the tower are available and on site.

Check each component for condition and correct operation BEFORE you start assembling the tower. Any faulty or damaged items MUST be replaced before assembling the tower. As you inspect each part, segregate types to make the task easier.

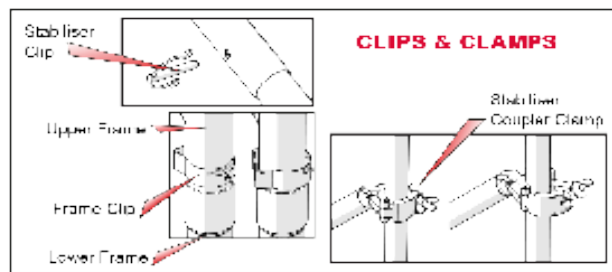
## COMPONENTS

### BRACES

Both horizontal and diagonal braces are fitted with triggered hooks at both ends. The triggers, when operated, pull back to allow the hook to be placed over the tubing used on the tower. Horizontal braces are also used as guardrails.

All brace hooks (except the first base assembly horizontal braces) must be attached to the top of frame horizontal tube. Always double check that each hook is positively locked onto the tubing before using the tower.

The brace hook trigger mechanisms are colour coded to show which are horizontal braces and which are diagonal braces. Horizontal brace triggers are coloured red and diagonal brace triggers are coloured blue.



### FRAME CLIPS

The frame clip is a spring clip fitted with a short pin that locates into a retaining hole on the frame and the hole at the top of the frame spigot. The clips are used to lock the frames together when placed one on top of the other.

### STABILISER CLIP

The stabiliser clip is used to retain the extendable leg on the telescopic and semi jumbo stabilisers.

### STABILISER COUPLER CLAMP

The coupler clamps are used to secure the stabilisers to the vertical frame tubes.

### WIND-LOCK CATCH

The wind-lock catch is fitted to one end of all platforms and is a gravity applied hook which drops over and around the horizontal frame tube. The catch is used to prevent the platform from being lifted by gusts of wind.

## TYING IN

Please refer to PASMA guide 'Tying in Mobile Towers' available for download at <http://pasma.org.uk/shop> or contact PASMA for a hard copy. tel. 0845 230 4041

## DISMANTLING THE TOWER

Dismantle the tower by reversing the erection sequence. You MUST always be protected by a full set of guardrails when standing on a platform and removing components.

## EQUIPMENT MAINTENANCE & CLEANING

Keep all components clean and free from contaminants. If any part becomes contaminated with paint, acid, oils or similar products the tower must not be used until the effected components have been cleaned and re-inspected.

## TRANSPORTATION & STORAGE

All components should be stored in a dry location where they will be protected from adverse weather conditions. When storing or transporting, keep frames upright and platforms flat. Do not stack excessively to avoid stress damage.

## INSTRUCTION LEAFLET AVAILABILITY

Keep these instructions in a safe place and ensure that they are made available to anyone using, constructing or dismantling the tower. If these instructions become lost or illegible, replacements should be acquired from the manufacturer.

## THROUGH THE TRAPDOOR (3T) SYSTEM

This method of construction reduces the risk of a fall from height. You will complete an 'assembly / access' platform level from which is added the 'next lift' of frames, braces and platform(s) until the final working height of the tower is achieved.

Using standard components, the erector will always be protected by a set of guardrails. By adopting the 3T method, the erector sits through the hatch of the platform with their feet resting on the frame rungs. In this position the erector can attach the guardrail braces at one end of the tower, access the platform and attach the other end of the guardrail braces at the opposite end of the tower.

## DAMAGED COMPONENTS

Damaged components found during inspection must be quarantined until assessed and repaired by a qualified repairer or replaced with new components.

DO NOT use damaged components in the tower structure.

## BALLAST

Where shown in the component list, ballast must be used to stabilise against overturning. Only use solid materials as ballast (i.e. no loose materials) and position to avoid overloading individual components. Ballast should be supported by the base of the tower and securely fastened to prevent removal.

## TEN POINT PRE-USE CHECKLIST

- 1 ALL COMPONENTS FREE FROM DAMAGE
- 2 CASTORS LOCKED
- 3 TOWER IS VERTICAL (if not, level using adjustable legs)
- 4 COUPLER CLAMPS SECURE
- 5 ALL GUARDRAILS IN PLACE
- 6 BRACE HOOKS LOCKED CORRECTLY
- 7 WINDLOCK CATCHES ENGAGED
- 8 FRAME AND STABILISER CLIPS ENGAGED
- 9 TOEBOARDS CORRECTLY ATTACHED
- 10 RISK ASSESSMENT COMPLETED

## MOVING A TOWER

If you need to move the tower to a new location or a new level, fully dismantle it and rebuild it at the new location.

If moving the tower a small distance, remove all personnel, materials, tools and everything else from the tower.

If the stabilisers can remain in position, reduce the tower to a platform height of 4m before moving. Raise the stabiliser's legs so that the footpads are approximately 25mm off the ground.

If the stabilisers need to be removed or repositioned (i.e. swung in to allow access to a doorway) you must reduce the tower to a platform height of 2m. With help, unlock all castors, move the tower, then re-lock the castors and vertically align the tower using the adjustable legs ready for rebuilding to the required height.

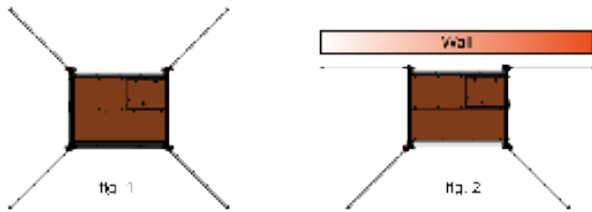
The tower should only be moved by manual effort and only by pushing the base.

## STABILISERS

Stabilisers shall always be fitted where specified, these increase the stability as a free standing structure. Best effect is obtained from the stabilisers when they are arranged in a footprint as near to a square (see fig. 1).

When using the tower against a wall, they may be positioned in fig. 2, but the wall must be at least two thirds the height of the top working platform. When locating stabilisers on the towers, maximum stability will be achieved by positioning at an angle of 45 degrees. Extend the leg to achieve maximum leg extension and ensure that the top coupler is positioned underneath the nearest horizontal frame tube.

Securely lock the top coupler before attaching the lower arm to the vertical frame tube. Ensure that the rubber foot pad is in contact with the ground and that the ground can support the weight of the tower and stabilisers.



## GETTING STARTED

The tower is available in two base sizes, 1450mm by a 1.8m or 2.5m platform length. The tower will be supplied with various height frames and you must always start with the smallest size frames first. The following instructions deal with a tower using 2 rung frames at the start, if supplied with 3 rung frames instead of 2 rung, start with the 3 rung frames.

Where you have both 2 rung and 3 rung, you must use the 2 rung first and the 3 rung next, with (where applicable) 4 rung frames at the top. The first platform needs to be carefully positioned to ensure that the remaining tower is constructed safely, use the chart below to find the exact position for the platform height you are erecting.

The access tower requires a minimum of two persons to assemble it, do not attempt to assemble the tower on your own.

Never stand on an un-guardrailed platform above the first rung of a tower. If your risk assessment shows it necessary, you may also need to guardrail platforms at this level.

### PLATFORM REPOSITIONING TABLE

Tower Platform Height	Swap Platform (Rung)	Platform 1 (Rung)	Platform 2 (Rung)	Platform 3 (Rung)	Platform 4 (Rung)	Platform 5 (Rung)
4.7	1	5	9			
5.2	2	6	10			
5.7	3	7	11			
6.2	4	8	12			
6.7	1	5	9	13		
7.2	2	6	10	14		
7.7	3	7	11	15		
8.2	4	8	12	16		
8.7	1	5	9	13	17	
9.2	2	6	10	14	18	
9.7	3	7	11	15	19	
10.2	4	8	12	16	20	
10.7	1	5	9	13	17	21
11.2	2	6	10	14	18	22
11.7	3	7	11	15	19	23
12.2	4	8	12	16	20	24

## 3T ASSEMBLY GUIDE

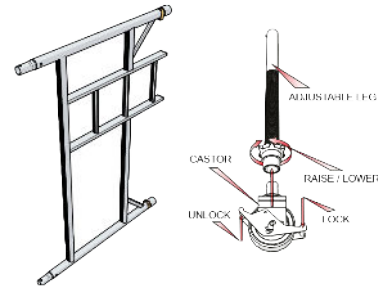
DOUBLE WIDTH 1450 TOWER 4.2M PLATFORM HEIGHT

### BUILD PROCESS

#### STEP 1

Insert castor / adjustable leg assemblies into base of 2 rung ladder frame and one 2 rung frame, allowing approximately 75mm of extended leg for levelling.

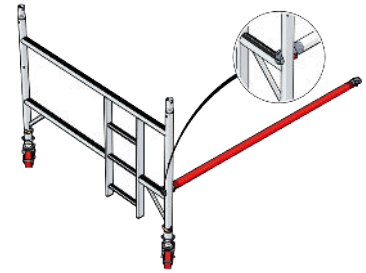
Press down firmly on the braking mechanism to lock castors.



#### STEP 2

Fit a horizontal brace onto the vertical tube of one frame, resting directly on the first horizontal tube.

Ensure that the brace hook trigger faces to the outside of the tower.



#### STEP 3

Join the second 4 rung frame to the first ensuring that the brace hook is resting on the opposite horizontal rung. Fit the second brace to the horizontal tubes as shown with hook apertures facing downwards. Level around base of tower using spirit level, making adjustments as necessary to adjustable legs until the frames have an inclination no more than 1% from the vertical.



#### STEP 4

Locate 4 rung frames and fit diagonal braces as shown, attach stabilisers to each corner. Please refer to the 'Stabilisers' section for details on achieving an optimum stabiliser footprint.



#### STEP 5

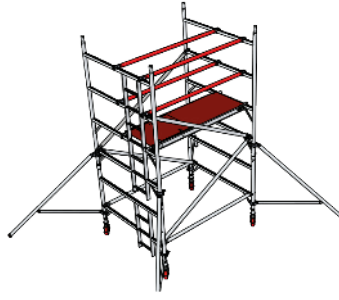
Locate hatch platform on the fourth rung / 2.20m level, ensuring that the hatch door opens outwards.



# BUILD PROCESS CONT.

## STEP 6

Using the 3T method, position yourself in the hatch and fit four horizontal guardrail braces on the fifth and sixth rungs to either side of the platform. Access the platform and secure the braces and diagonal brace at the opposite end of the tower.



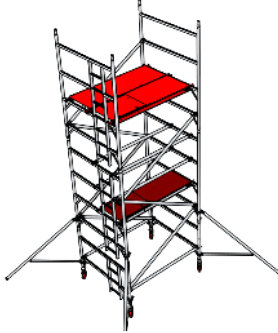
## STEP 7

Fit next lift of 4 rung frames and attach diagonal braces as shown.



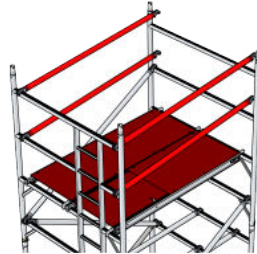
## STEP 8

If working height of tower is achieved on this frame, locate standard platform on eighth rung and slide across to opposite side of tower, locate hatch platform. This is the 4.20m level.



## STEP 9

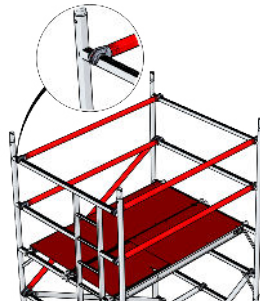
Using the 3T method install 4 horizontal guardrail braces onto ninth and tenth rungs to both sides of the tower.



## STEP 10

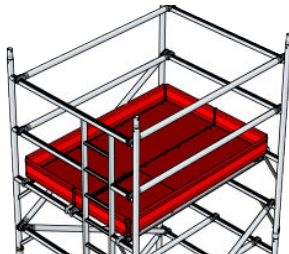
Access the platform and secure the horizontal guardrail braces and last diagonal brace at the opposite end of the tower.

**NOTE:** If building the tower beyond the 4.20m level, continue with steps 7 to 9 until desired working height is achieved, then follow step 10.



## STEP 11

Fit the toeboard set ensuring the edges of the toeboard overlap the platform edges on all four edges.



DESCRIPTION	COMPONENT SCHEDULE		EXTERNAL / INTERNAL USE																	INTERNAL USE ONLY						
	UNIT WEIGHT 1.8M (kg)	UNIT WEIGHT 2.5M (kg)	WH 3.2	4.2	4.2	4.7	5.2	5.7	6.2	6.7	7.2	7.7	8.2	8.7	9.2	9.7	10.2	10.7	11.2	11.7	12.2	12.7	13.2	13.7	14.2	
Castor	3.26	3.26	4	4	4	4	4	4	4	4	4	4	4	4	4	4	4	4	4	4	4	4	4	4	4	4
Adjustable Leg	1.42	1.42	4	4	4	4	4	4	4	4	4	4	4	4	4	4	4	4	4	4	4	4	4	4	4	4
2 Rung Ladder Frame	5.40	5.40	0	1	1	0	0	1	1	1	0	0	1	1	0	0	1	1	0	0	1	1	0	0	1	1
2 Rung Frame	4.20	4.20	0	1	1	0	0	1	1	0	0	1	1	0	0	1	1	0	0	1	1	0	0	1	1	1
3 Rung Ladder Frame	7.90	7.90	0	1	0	1	0	1	0	1	0	1	0	1	0	1	0	1	0	1	0	1	0	1	0	0
3 Rung Frame	5.90	5.90	0	1	0	1	0	1	0	1	0	1	0	1	0	1	0	1	0	1	0	1	0	1	0	0
4 Rung Ladder Frame	10.30	10.30	1	0	1	1	2	1	2	2	3	2	3	3	4	3	4	4	5	4	5	5	6	5	6	6
4 Rung Frame	7.40	7.40	1	0	1	1	2	1	2	2	3	2	3	3	4	3	4	4	5	4	5	5	6	5	6	6
Standard Platform	12.56	17.31	1	1	1	2	1	1	1	1	1	1	1	1	1	1	1	1	1	1	1	1	1	1	1	1
Hatch Platform	13.25	18.00	1	1	1	1	2	2	2	2	2	2	2	3	3	3	3	4	4	4	4	4	5	5	5	5
Horizontal Brace	1.73	2.22	6	6	6	6	10	10	10	10	10	10	10	14	14	14	14	18	18	18	18	22	22	22	22	22
Diagonal Brace	1.90	2.32	2	2	3	4	5	7	7	8	9	11	11	12	13	15	15	16	17	19	19	20	21	22	22	23
Toeboard Set	9.11	11.23	1	1	1	1	1	1	1	1	1	1	1	1	1	1	1	1	1	1	1	1	1	1	1	1
Fixed Stabiliser	3.29	3.29	0	0	0	4	4	4	4	4	4	0	0	0	0	0	0	0	0	0	0	0	0	0	0	0
Telescopic Stabiliser	4.86	4.86	0	0	0	0	0	0	0	0	4	4	4	4	0	0	0	4	4	4	4	4	4	4	4	4
Semi Jumbo Stabiliser	6.28	6.28	0	0	0	0	0	0	0	0	0	0	0	0	4	4	4	0	0	0	0	0	0	0	0	0
Ballast Weight	25.00	25.00	0	0	0	0	0	0	0	0	0	0	0	0	0	0	0	0	0	0	0	0	0	0	0	0
<b>Total tower weight 1.8m</b>			85.52	91.22	97.02	128.84	142.25	151.75	155.65	161.75	167.55	183.33	187.23	213.50	224.98	234.48	238.38	259.97	264.77	274.27	278.17	304.44	310.24	317.84	323.64	323.64
<b>Total tower weight 2.5m</b>			100.92	106.62	112.84	149.83	165.62	175.96	179.86	186.38	192.60	209.22	213.12	246.52	256.42	268.76	272.66	300.38	306.60	316.94	320.84	354.24	360.46	368.48	374.70	374.70

WH - Working Height & PH - Platform Height